



THE OIL FIRED EXPERIENCE



# CONDENSING RANGE

Pre-wired for ease of installation

Front access for ease of siting, servicing and maintenance

Features reliable, quiet running and efficient proven burner.

Easily sited thanks to a multi directional push fit round telescopic flue.

5 Year guarantee on boiler heat exchanger



**SEDBUK BAND A**

**97%**  
*Net Efficiency*



**Ambassador  
Condensing Kitchen**



**Countryman  
Condensing Slimline  
Outdoor**



**Consul  
Condensing Boiler  
House**



**Senator  
Condensing Combi**

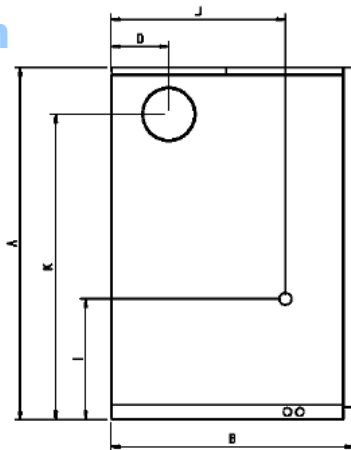


**Countryman  
Condensing Outdoor  
Combi**



# CONDENSING RANGE

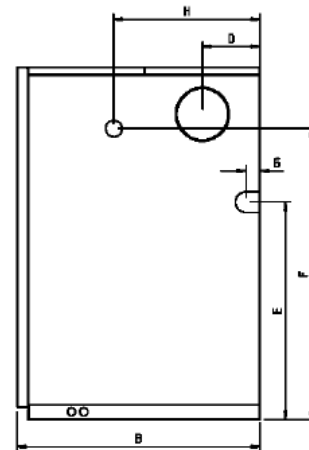
## ambassador Condensing kitchen



LEFT HAND VIEW



FRONT VIEW



RIGHT HAND VIEW

### General Data

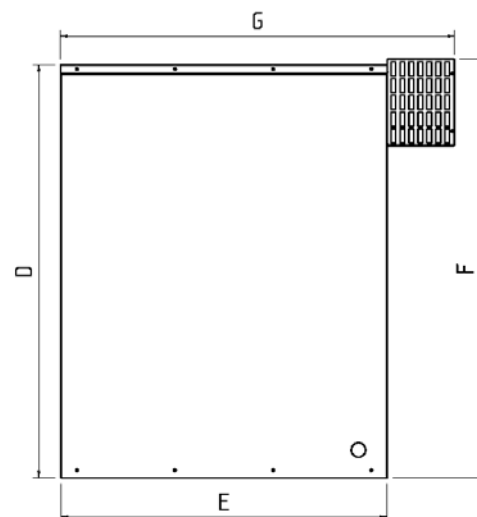
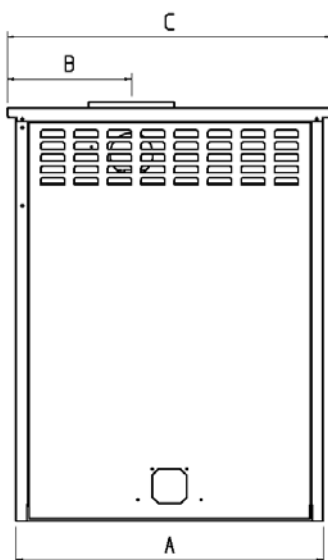
Electrical Supply. 240w-50hz  
 Fuel: 28 Second  
 Maximum Control Thermostat Setting 85°C  
 Maximum Operating Pressure: 3 Bar – 45psi – 28m Static head room 92ft  
 Draught Limit

Oil Supply Connection ¼" BSP  
 High Limit Stat: Manual Reset  
 3 Bar – 45psi – 28m Static head room 92ft  
 Min 12.5 Nm<sup>2</sup> – 0.05" WG  
 Max 33.0 Nm<sup>2</sup> – 0.12" WG

DIMENSION	15/21 Kw	21/27 Kw	27/38 Kw
A	854	854	854
B	589	589	589
C	421	481	481
D	140	140	140
E	496	528	528
F	706	706	706
G	35	35	35
H	355	355	355
I	293	293	293
J	423	423	423
K	741	741	741

DIMENSIONS ARE IN (mm.)

## countryman Outdoor combi



### General Data

Electrical Supply. 240w-50hz  
 Fuel: 28 Second  
 Maximum Control Thermostat Setting 85°C  
 Maximum Operating Pressure: 3 Bar – 45psi – 28m Static head room 92ft  
 Draught Limit

Oil Supply Connection ¼" BSP  
 High Limit Stat: Manual Reset  
 3 Bar – 45psi – 28m Static head room 92ft  
 Min 12.5 Nm<sup>2</sup> – 0.05" WG  
 Max 33.0 Nm<sup>2</sup> – 0.12" WG

DIMENSIONS	15/21 KW	21/27 KW	27/38 KW
A	645	645	645
B	260	260	260
C	681	681	681
D	868	868	868
E	684	684	684
F	880	880	880
G	827	827	827

DIMENSIONS ARE IN (mm)





# CONDENSING RANGE

## condensing boiler what is it & how does it work?

Through a change in legislation, condensing boilers will become more and more popular in the forthcoming months. The main principle behind this type of boiler is an increase in efficiency through maintaining the heat for as long as possible within the heat exchanger. This is done with the new, high efficiency Turco condensing heat exchanger which is positioned on top of the boiler shell. In short, maintaining this heat increases the efficiency with minimum heat being wasted in escaping via the flue.

On standard efficiency boilers, flue gases going up the flue exit at a high temperature (200° / 260°C) and are composed of many different gases. With a condensing boiler these gases are allowed to pass through a secondary stainless steel heat exchanger, which is positioned on top of the original boiler shell. This secondary exchanger (like the main exchanger) is filled with water allowing the hot gases more time to transfer to the water and heat the system. One of the by products of this is the condensate which collects in a specific area of the secondary exchanger and then runs into the condensate trap which can be seen external to the boiler.

This results in:

- a. increasing the temperature of the water returning to the main boiler meaning it requires less energy to heat to operating temperature
- b. converting some of the gases into this bi product – condensate
- c. lowering the flue gases to 80 degrees C by efficiently using all the heat to increase the temperature of the water in the system

The Turco condensing boiler uses the same boiler design as before with the stainless steel condenser placed on the top of the boiler shell. Benefits include:

- Pre wired for ease of installation
- Front access for ease of servicing
- Reliable, efficient, proven burner
- 5 year guarantee on boiler heat exchanger

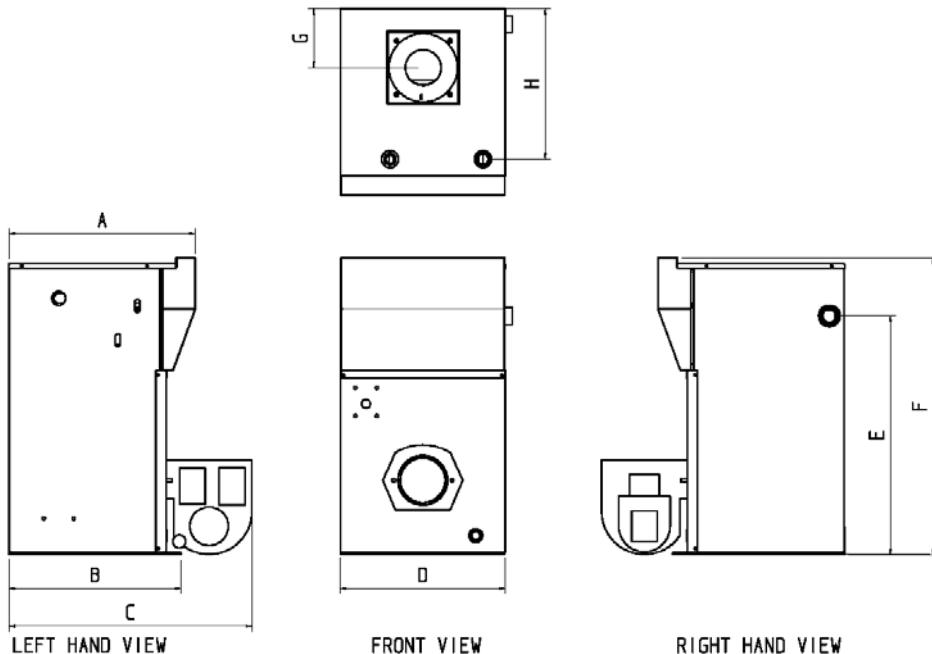
Turco use 3 different shell sizes in order to get the various outputs described above

Turco have the only "tight cased" (Consul) condensing boiler on the market at the moment which should mean value for money for installers who don't really want a white cased product for their installation

The Turco condensing boiler boasts a net efficiency of 97% and is included in efficiency Band A products on the SEDBUK list. The lowest rating here is "G" with an efficiency of less than 70% making the Turco boiler one of the most efficient on the market.

Turco use a unique, multidirectional, telescopic flue for ease of siting of boiler

### consul Boiler House



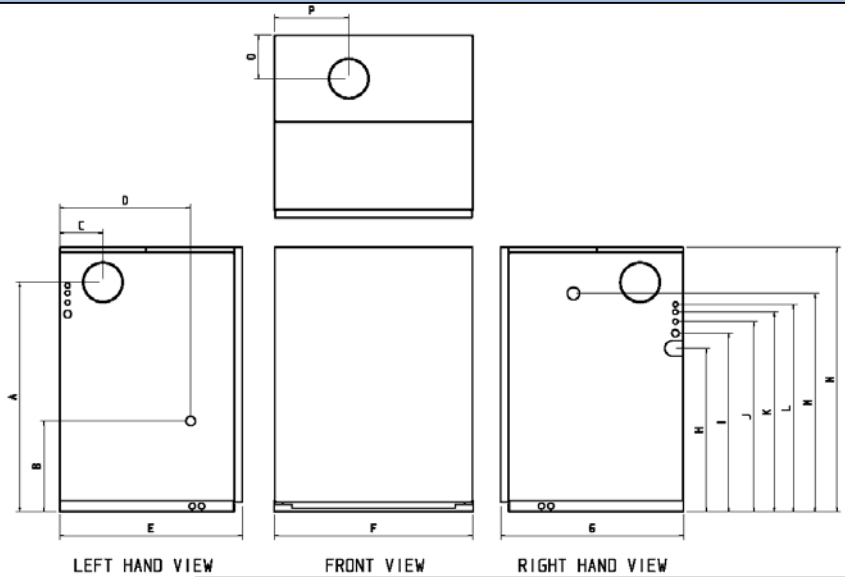
#### General Data

Electrical Supply. 240w-50hz	Oil Supply Connection 1/4" BSP
Fuel: 28 Second	High Limit Stat: Manual Reset
Maximum Control Thermostat Setting 85°C	
Maximum Operating Pressure:	3 Bar – 45psi – 28m Static head room 92ft
Draught Limit	Min 12.5 Nm <sup>2</sup> – 0.05" WG Max 33.0 Nm <sup>2</sup> – 0.12" WG

DIMENSION	15/21 KW	21/27 KW	27/38 KW
A	436	440	440
B	402	402	402
C	568	568	568
D	385	453	453
E	559	527	527
F	694	694	694
G	138	142	142
H	352	357	357



## senator Condensing combi

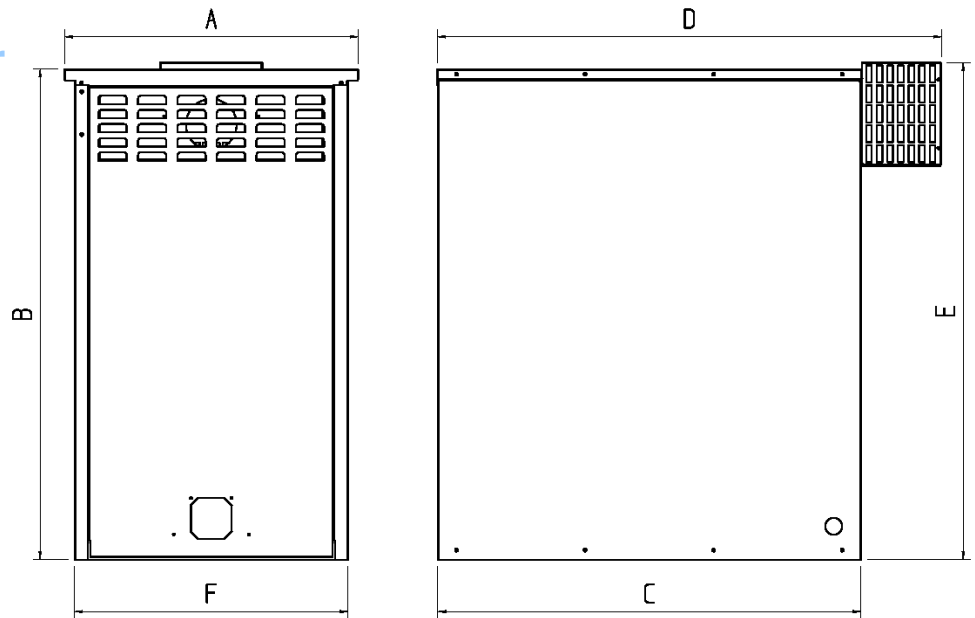


DIMENSIONS	15/21 KW	21/27 KW	27/38 KW
A	741	741	741
B	293	293	293
C	140	140	140
D	423	423	423
E	589	589	589
F	641	641	641
G	589	589	589
H	528	528	528
I	577	577	577
J	614	614	614
K	645	645	645
L	670	670	670
M	705	705	705
N	854	854	854
O	140	140	140
P	240	240	240

### General Data

Electrical Supply. 240w-50hz      Oil Supply Connection 1/4" BSP  
 Fuel: 28 Second                      High Limit Stat: Manual Reset  
 Maximum Control Thermostat Setting 85°C  
 Maximum Operating Pressure: 3 Bar – 45psi – 28m Static head room 92ft  
 Draught Limit                          Min 12.5 Nm<sup>2</sup> – 0.05" WG  
                                                     Max 33.0 Nm<sup>2</sup> – 0.12" WG

## countryman Slimline outdoor



DIMENSIONS	15/21 Kw	21/27 Kw	27/38 Kw
A	521	521	521
B	868	868	868
C	750	750	750
D	894	894	894
E	880	880	880
F	485	485	485

### General Data

Electrical Supply. 240w-50hz      Oil Supply Connection 1/4" BSP  
 Fuel: 28 Second                      High Limit Stat: Manual Reset  
 Maximum Control Thermostat Setting 85°C  
 Maximum Operating Pressure: 3 Bar – 45psi – 28m Static head room 92ft  
 Draught Limit                          Min 12.5 Nm<sup>2</sup> – 0.05" WG  
                                                     Max 33.0 Nm<sup>2</sup> – 0.12" WG

DIMENSIONS ARE IN (mm.)



# CONDENSING RANGE

## delivering engineering excellence

Turkington Engineering is a privately owned company established for 40 years. During this time we have built a reputation as one of the leading UK Manufacturers of Domestic Heating Products.

From our new cutting edge 40,000 sq.ft. Production facility, we offer reliability, versatility and the peace of mind you would expect from a company at the forefront of technology.

Turkington Engineering are able to provide a cost effective solution to suit any household application be it external, Internal or floor. With exceptional heating and hot water performance the customers will enjoy the financial benefits of a TURCO condensing boiler time and time again.

ISO accreditation guarantees quality and professionalism across our business, from the products we manufacture to the service we deliver.

## Energy efficiency what band are Turco?

Band	SEDBUK range
<b>A</b>	90% and above
<b>B</b>	86% - 90%
<b>C</b>	82% - 86%
<b>D</b>	78% - 82%
<b>E</b>	74% - 78%
<b>F</b>	70% - 74%
<b>G</b>	below 70%

**Energy Efficiency Bands** - As a simple guide to efficiency, a scheme has been created with SEDBUK efficiency bands assigned to boilers on an "A" to "G" scale. The band is shown in the database and may be used on product literature and labels, though there is no requirement for manufacturers to do so. All TURCO boilers are Sedbuk Band A up to 94.5%.

**For further information on all TURCO products please contact:**

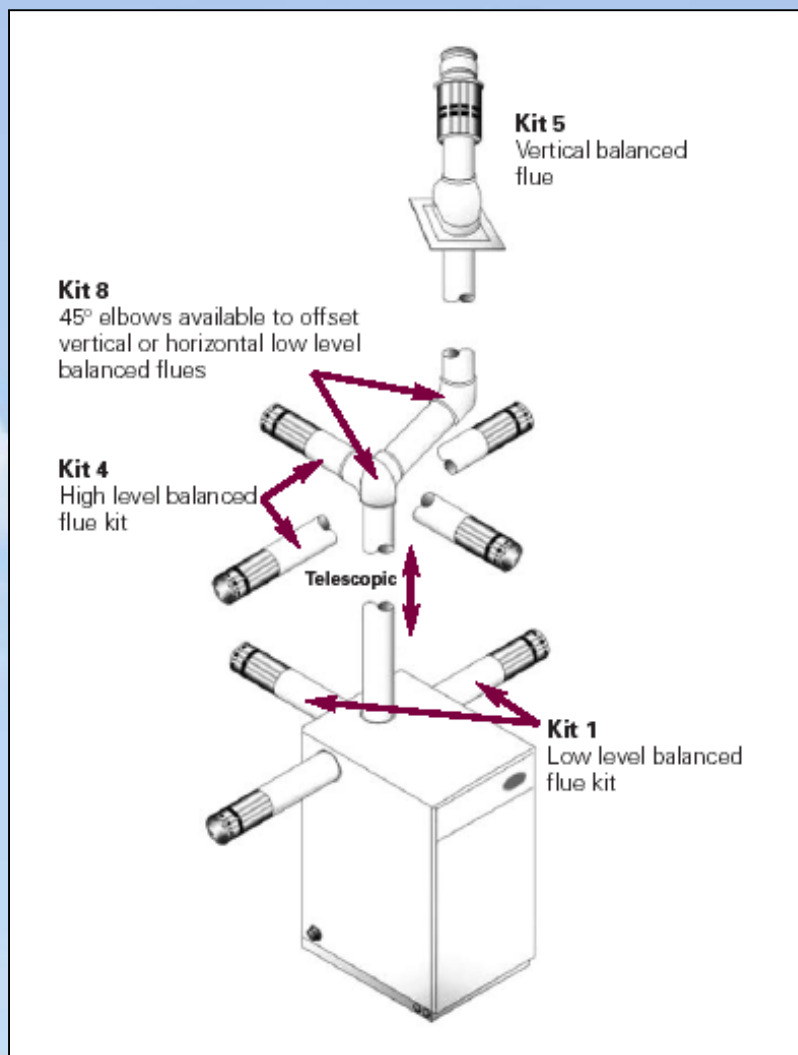
**TURKINGTON ENGINEERING LIMITED**  
14 TULLYLAGAN ROAD, SANDHOLES  
COOKSTOWN, CO TYRONE. BT80 9AZ

Tel: 028 867 63372 / Fax: 028 867 63484  
E-mail: info@turco.co.uk

## multi directional flue systems

To ensure optimum boiler performance low running noises, Turkington Engineering complement their extensive range of multi-directional flued condensing oil boilers with a very simple push fit round flue system.

They are aesthetically pleasing and are also exceptionally easy on the installer, as all that is needed to install them is a standard-size core drill.



Your Local stockist:

Turkington Engineering Limited have a continued research and development programme which occasionally necessitates changes to specifications herein.

Copyright of the contents of this brochure is secured by Turkington Engineering Limited and therefore no part of it may be reproduced without permission.



